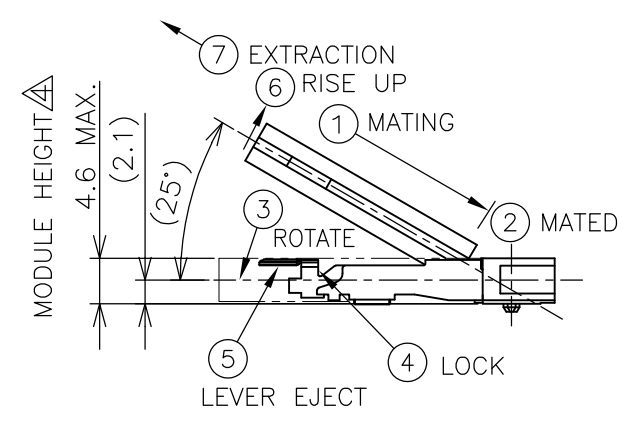
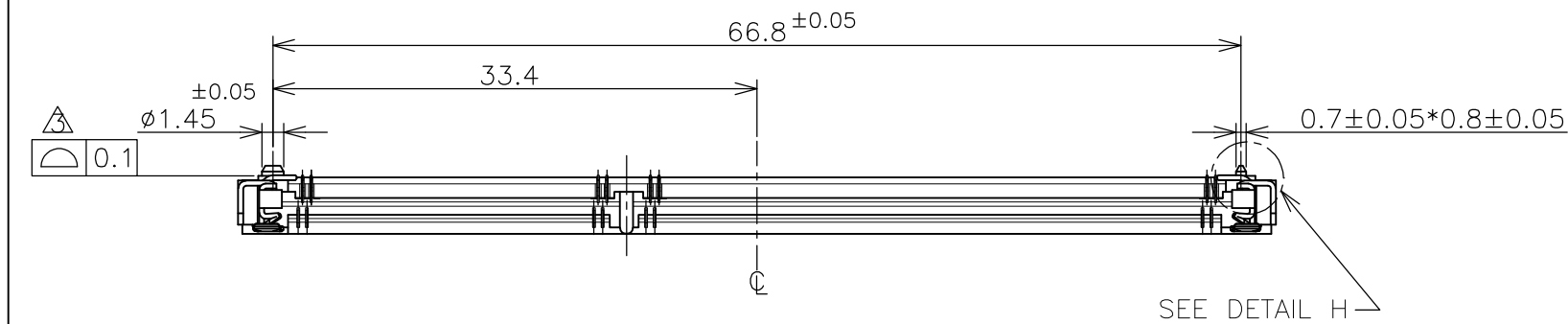
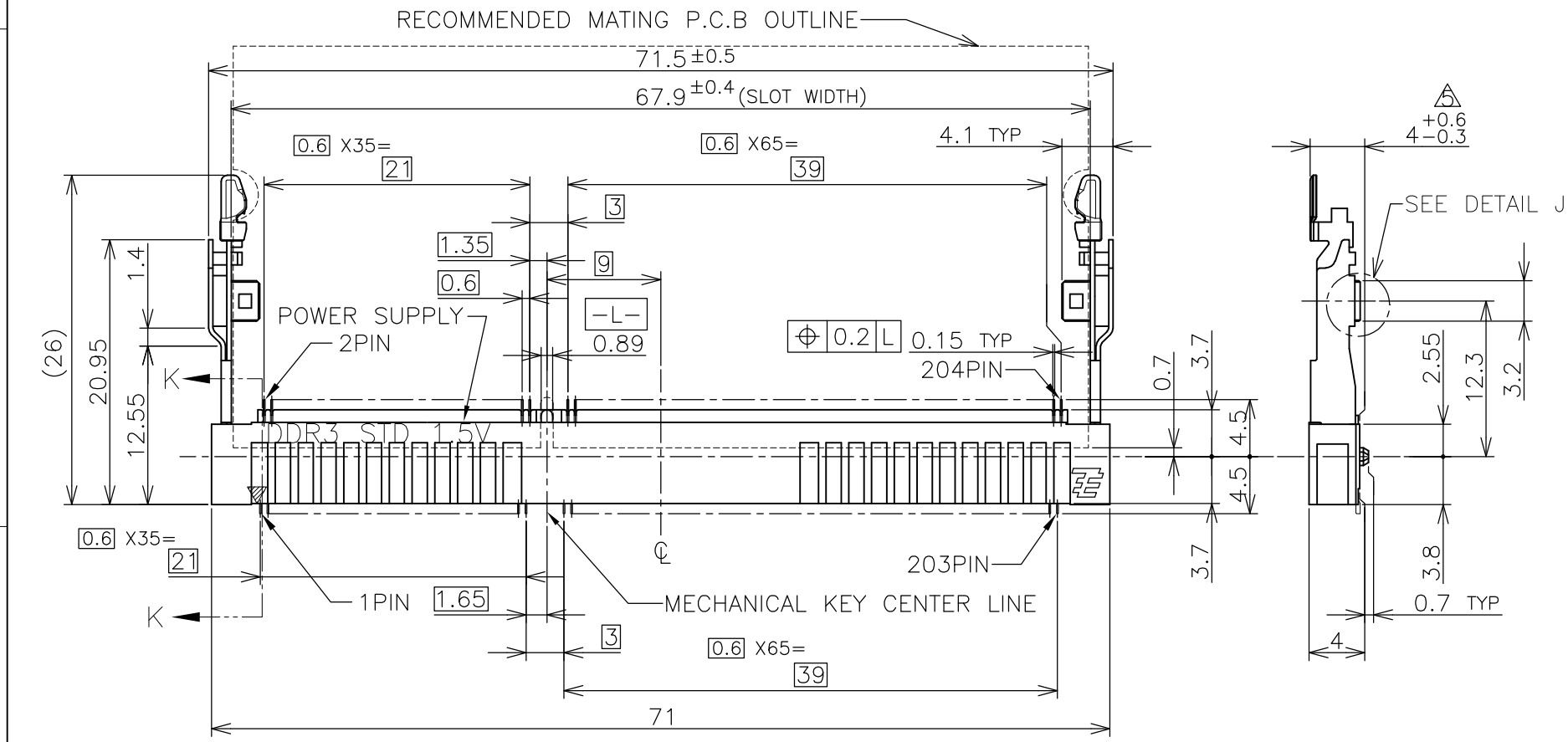


THIS DRAWING IS UNPUBLISHED. RELEASED FOR PUBLICATION FEB. 2006.
 © COPYRIGHT 2006 By - ALL RIGHTS RESERVED.

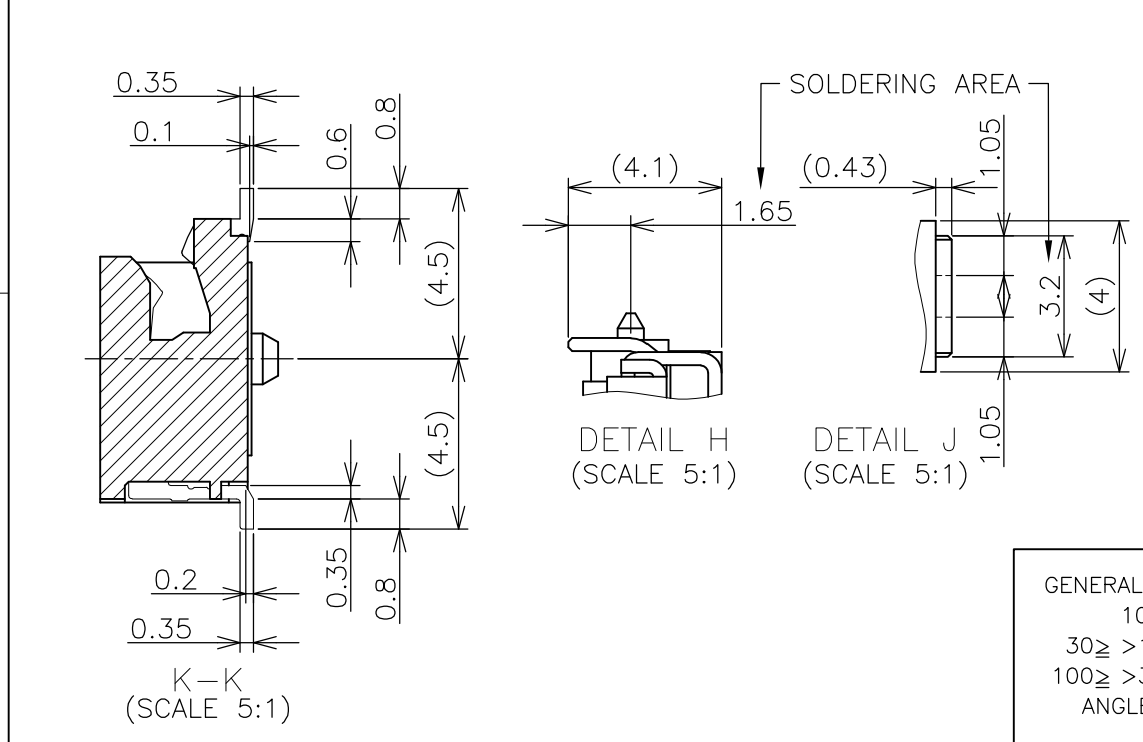
LOC	DIST	REVISIONS			
P	LTR	DESCRIPTION	DATE	DWN	APVD
J	/				
	C	REVISED PER ECR-12-004002	01MAR2012	W.W	C.W



HOW TO MATE AND UNMATE
 MATE: ① → ④
 UNMATE: ⑤ → ⑦



- (APPLIED TO SHEET 1-3)
- 1. MATERIAL ; HOUSING: HIGH TEMPERATURE THERMO PLASTIC UL94V-0
 COLOR: BLACK
 CONTACT: COPPER ARROY
 LOCK LEVER: STAINLESS STEEL
 - 2-1. FINISH ; CONTACT AREA: GOLD FLASH
 ALL OVER NICKEL.
 SOLDERING AREA: GOLD FLASH PLATING
 LOCK LEVER: TIN PLATING
 - 2-2. FINISH ; CONTACT AREA: 0.000254MIN GOLD
 ALL OVER NICKEL.
 SOLDERING AREA: GOLD FLASH PLATING
 LOCK LEVER: TIN PLATING
 - 2-3. FINISH ; CONTACT AREA: 0.00076MIN GOLD
 ALL OVER NICKEL.
 SOLDERING AREA: GOLD FLASH PLATING
 LOCK LEVER: TIN PLATING
- △ COPLANARITY: 0.1 MAX. (BEFORE SOLDERING)
 △ THE FLOATING VALUE BY SOLDERING IS NOT INCLUDED.
 △ NOT MATING CONDITION.
6. IF THE MODULE DOESN'T INSERT AND LOCK IN THE LATCH SMOOTHLY,
 OPEN WIDE BOTH LATCHES BY MANUAL. AND THE MODULE MUST BE
 INSERTED AND LOCKED IN THE LATCH.



GENERAL TOLERANCE
 10 ≥ : ± 0.2
 30 ≥ > 10 : ± 0.25
 100 ≥ > 30 : ± 0.3
 ANGLES : ± 3°

THIS DRAWING IS A CONTROLLED DOCUMENT.		DWN T.FUMIKURA 18SEP2007	TE Connectivity		
DIMENSIONS: MM		CHK K.IKEGAMI 18SEP2007			
TOLERANCES UNLESS OTHERWISE SPECIFIED:		APVD K.IKEGAMI 18SEP2007	NAME		
0 PLC ±		108-78493			
1 PLC ±		APPLICATION SPEC			
2 PLC ±		SIZE CAGE CODE DRAWING NO RESTRICTED TO			
3 PLC ±		A3 00779 C-2013022			
4 PLC ±		WEIGHT 3.6g			
ANGLES ±		SCALE 2:1 SHEET 1 OF 6 REV C			
FINISH		CUSTOMER DRAWING			

4

3

2

1

THIS DRAWING IS UNPUBLISHED.


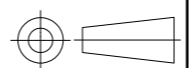
RELEASED FOR PUBLICATION FEB , 2006.

© COPYRIGHT 2006 By -

ALL RIGHTS RESERVED.

LOC		DIST		REVISIONS					
J				P	LTR	DESCRIPTION	DATE	DWN	APVD
					-	SEE SHEET 1	-	-	-

AVAILABLE	ENBOSS (SEE SHEET 6)	WITH BOSS	BLACK	NOTE 2-3	1.5V	204	2-2013022-3
AVAILABLE	ENBOSS (SEE SHEET 6)	WITH BOSS	BLACK	NOTE 2-2	1.5V	204	2-2013022-2
AVAILABLE	ENBOSS (SEE SHEET 6)	WITH BOSS	BLACK	NOTE 2-1	1.5V	204	2-2013022-1
AVAILABLE	SEMI-HARD TRAY (SEE SHEET 5)	WITH BOSS	BLACK	NOTE 2-3	1.5V	204	2013022-3
AVAILABLE	SEMI-HARD TRAY (SEE SHEET 5)	WITH BOSS	BLACK	NOTE 2-2	1.5V	204	2013022-2
AVAILABLE	SEMI-HARD TRAY (SEE SHEET 5)	WITH BOSS	BLACK	NOTE 2-1	1.5V	204	2013022-1
TOOLING STATUS	PACKING TYPE	BOSS TYPE	HOUSING COLOR	FINISH	POWER SUPPLY	POS	PART NO.

THIS DRAWING IS A CONTROLLED DOCUMENT.		DWN		 TE Connectivity	
DIMENSIONS: MM		CHK			
		APVD			
<p>GENERAL TOLERANCE</p> <p>10\geq:\pm0.2</p> <p>30\geq >10:\pm0.25</p> <p>100\geq >30:\pm0.3</p> <p>ANGLES:\pm3'</p>		NAME			
MATERIAL		PRODUCT SPEC		DDR3 SODIMM SOCKET	
TOLERANCES UNLESS OTHERWISE SPECIFIED:		APPLICATION SPEC		0.6mm PITCH 204POS	
0 PLC \pm		WEIGHT		4mm HEIGHT STANDARD TYPE	
1 PLC \pm		CUSTOMER DRAWING		SIZE	
2 PLC \pm		SCALE FREE		CAGE CODE	
3 PLC \pm		SHEET 2 OF 6		DRAWING NO	
4 PLC \pm		REV C		RESTRICTED TO	
ANGLES \pm				A3 00779 C-2013022	
FINISH				-	

THIS DRAWING IS UNPUBLISHED.

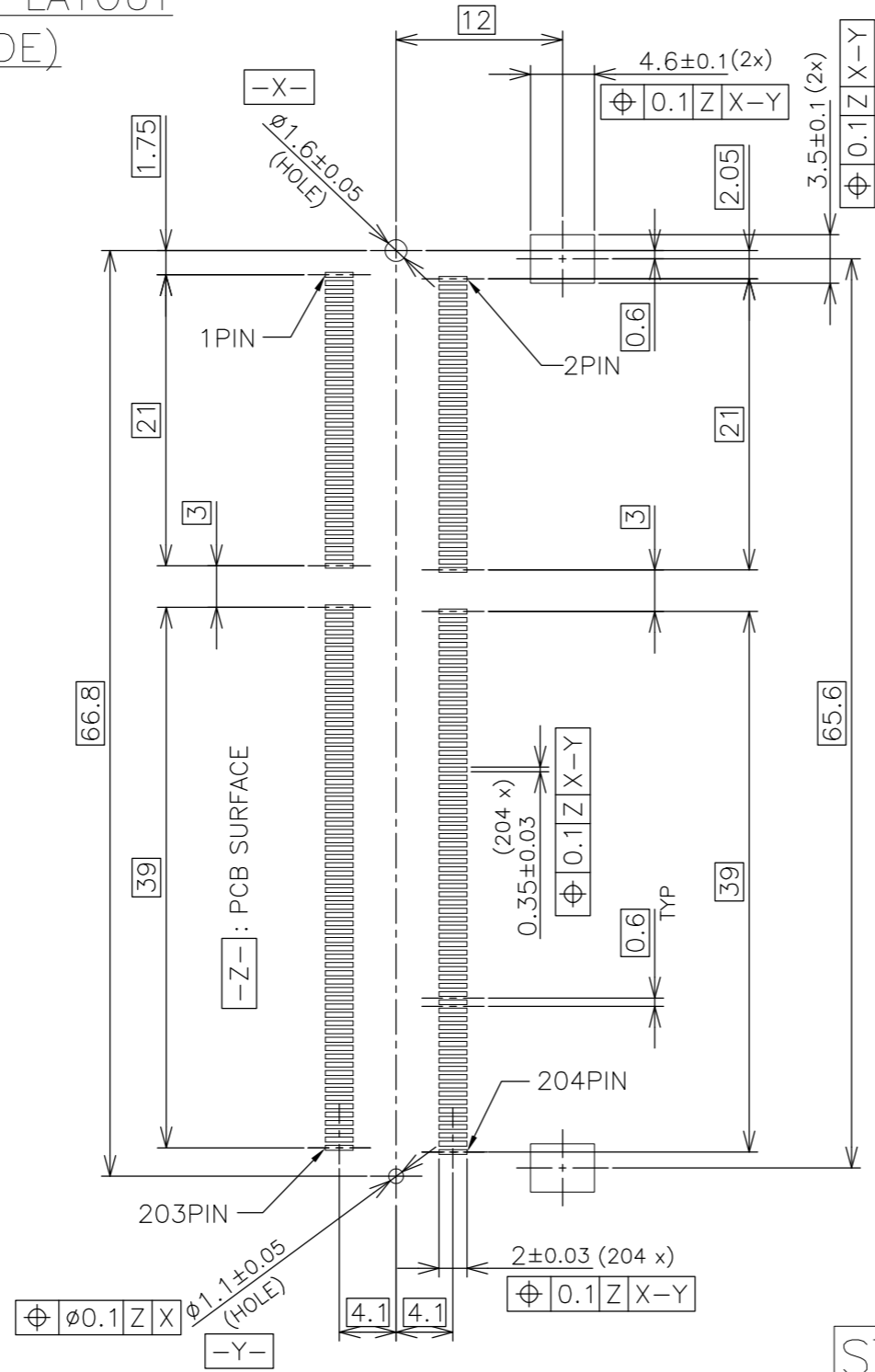
RELEASED FOR PUBLICATION FEB ,2006.

© COPYRIGHT 2006 By -

ALL RIGHTS RESERVED.

LOC	DIST	REVISIONS			
P	LTR	DESCRIPTION	DATE	DWN	APVD
-	-	SEE SHEET 1	-	-	-

REFERENCE P.C.BOARD PATTERN LAYOUT
(CONNECTOR MOUNTING SIDE)

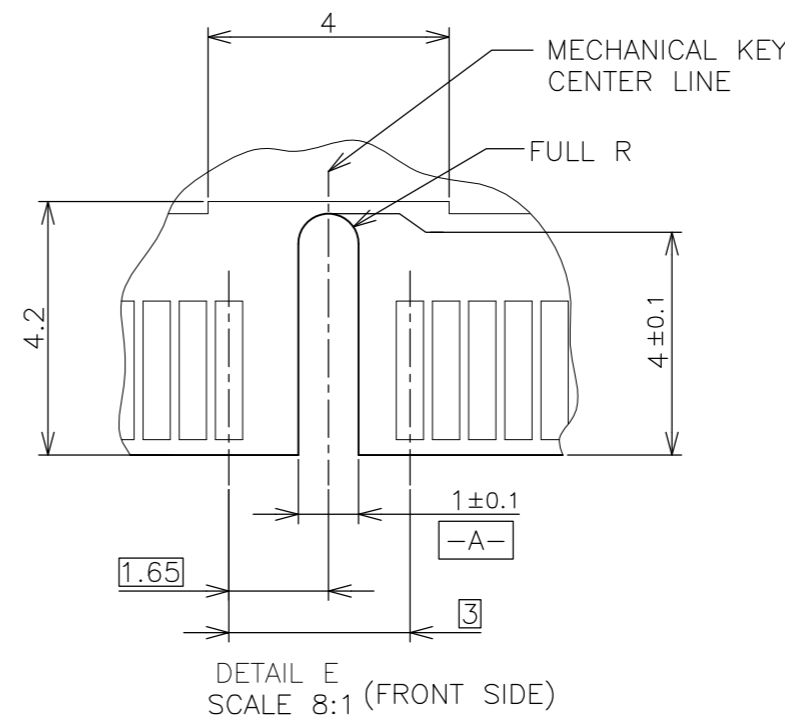
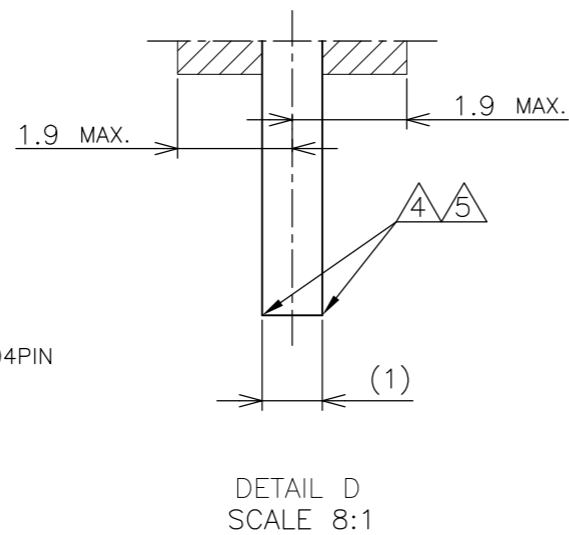
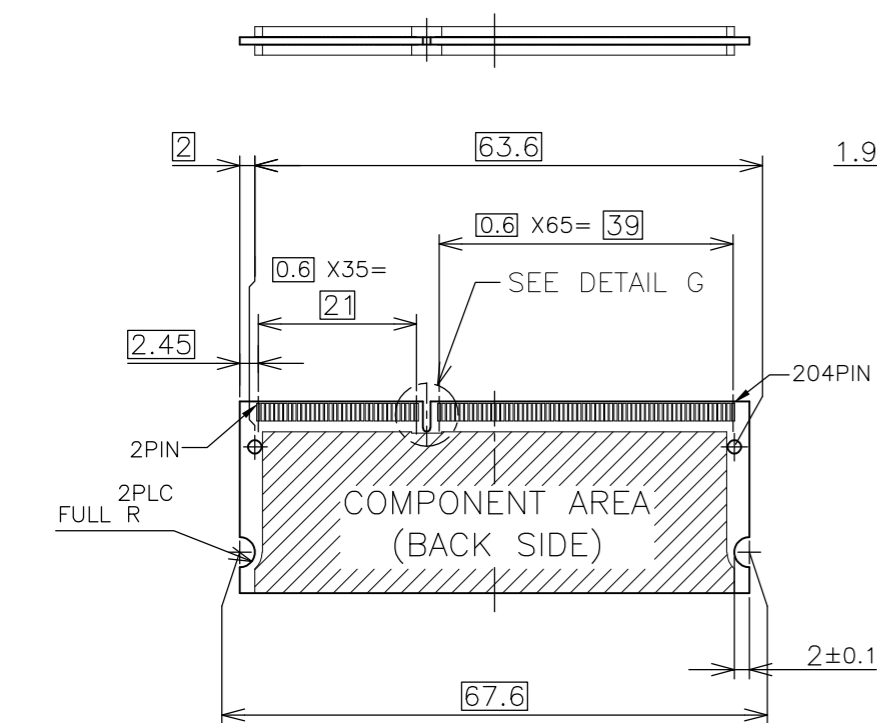
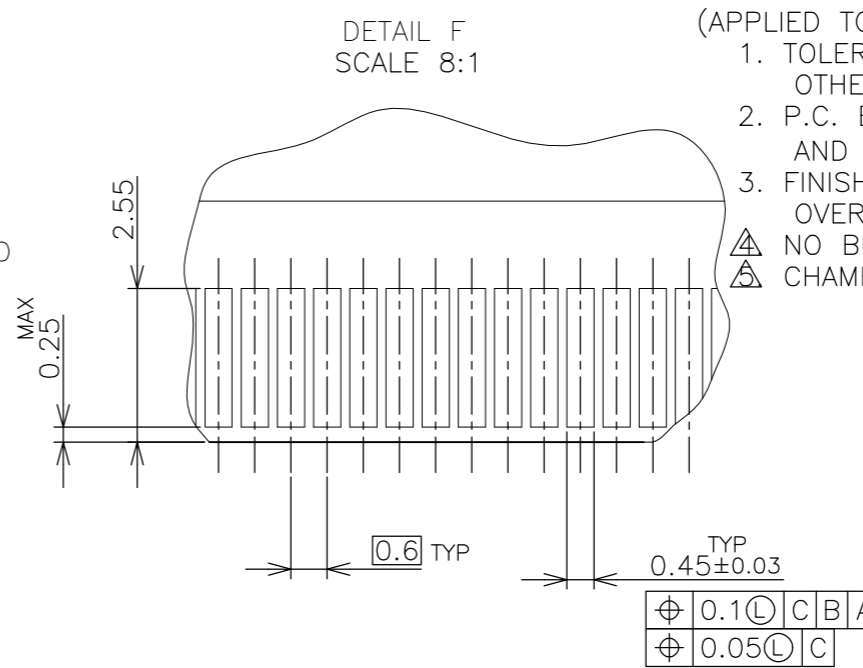
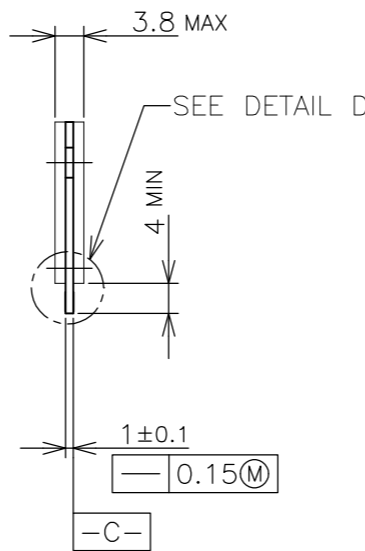
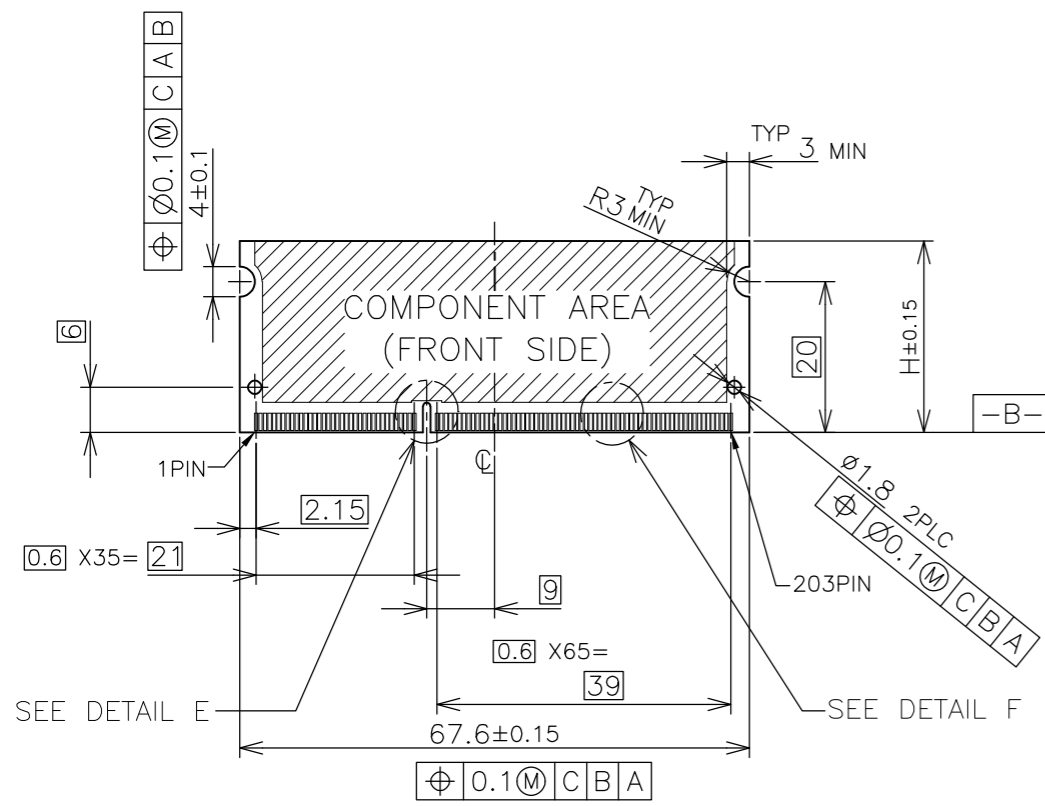


STD TYPE

THIS DRAWING IS A CONTROLLED DOCUMENT.		DWN		TE Connectivity	
DIMENSIONS: MM		CHK			
		APVD		NAME	
TOLERANCES UNLESS OTHERWISE SPECIFIED:		PRODUCT SPEC		DDR3 SODIMM SOCKET	
0 PLC ±		APPLICATION SPEC		0.6mm PITCH 204POS	
1 PLC ±		WEIGHT		4mm HEIGHT STANDARD TYPE	
2 PLC ±		CUSTOMER DRAWING		SIZE	RESTRICTED TO
3 PLC ±		SCALE 2:1		A3	-
4 PLC ±		SHEET 3 OF 6		00779	
ANGLES ±		REV C		C-2013022	
FINISH					

LOC	DIST	REVISIONS					
		P	LTR	DESCRIPTION	DATE	DWN	APVD
J	/	-	-	SEE SHEET 1	-	-	-

REFERENCE MATING P.C.B CONFIGURATION

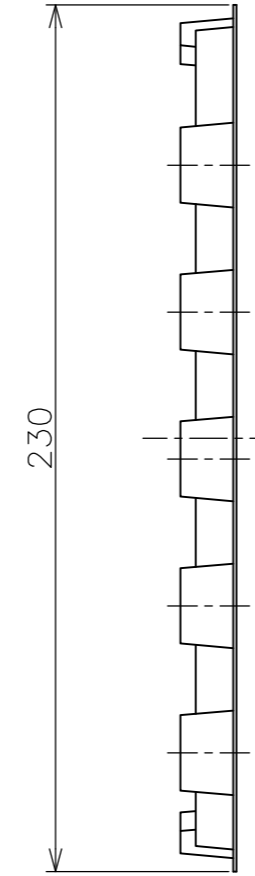
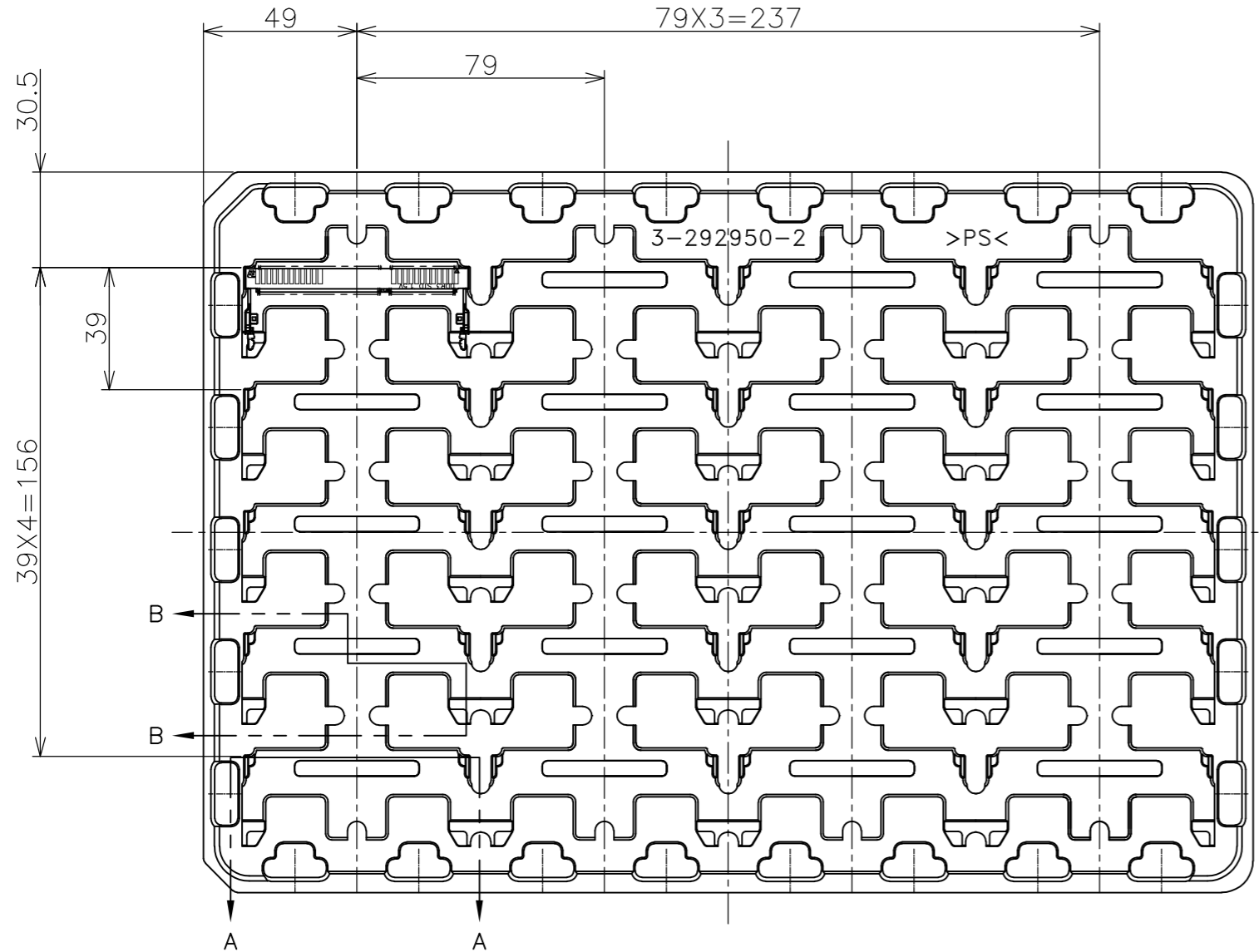


30	CA
31.75	BA
25.4	AA
H	SDRAM VARIATIONS

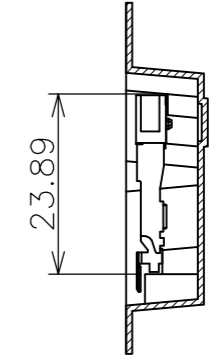
THIS DRAWING IS A CONTROLLED DOCUMENT.		DWN	TE Connectivity			
DIMENSIONS: MM		CHK				
TOLERANCES UNLESS OTHERWISE SPECIFIED:		APVD				
0 PLC ± 1 PLC ± 2 PLC ± 3 PLC ± 4 PLC ± ANGLES ± MATERIAL FINISH ±		NAME				
MATERIAL		PRODUCT SPEC	DDR3 SODIMM SOCKET			
		APPLICATION SPEC	0.6mm PITCH 204POS			
		WEIGHT	4mm HEIGHT STANDARD TYPE			
		CUSTOMER DRAWING	SIZE	CAGE CODE	DRAWING NO	RESTRICTED TO
			A3	00779	C-2013022	-
			SCALE	SHEET	REV	
			2:1	4 OF 6	C	

THIS DRAWING IS UNPUBLISHED. RELEASED FOR PUBLICATION FEB ,2006.
 © COPYRIGHT 2006 By - ALL RIGHTS RESERVED.

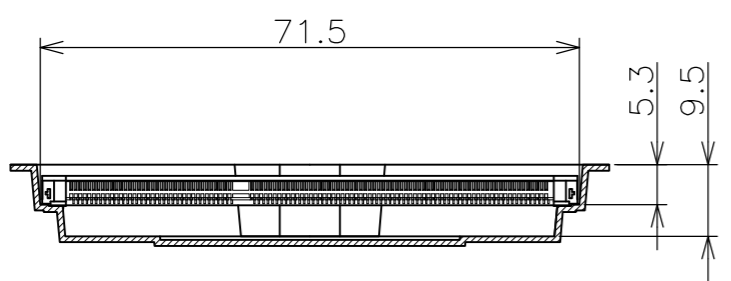
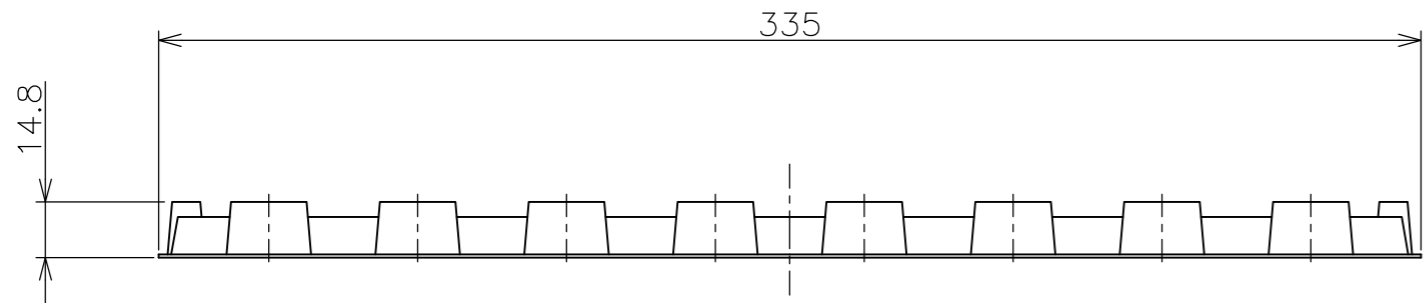
LOC	DIST	REVISIONS			
P	LTR	DESCRIPTION	DATE	DWN	APVD
J	/	SEE SHEET 1	-	-	-



- (APPLIED TO SHEET 5)
1. THE DIRECTION OF EACH CONNECTOR ON A TRAY IS REFERRED TO THIS DRAWING.
 2. GENERAL TOLERANCE: ± 0.5 , $\pm 3'$



B-B
SCALE 1:1



A-A
SCALE 1:1
(180DEG. ROTATE)

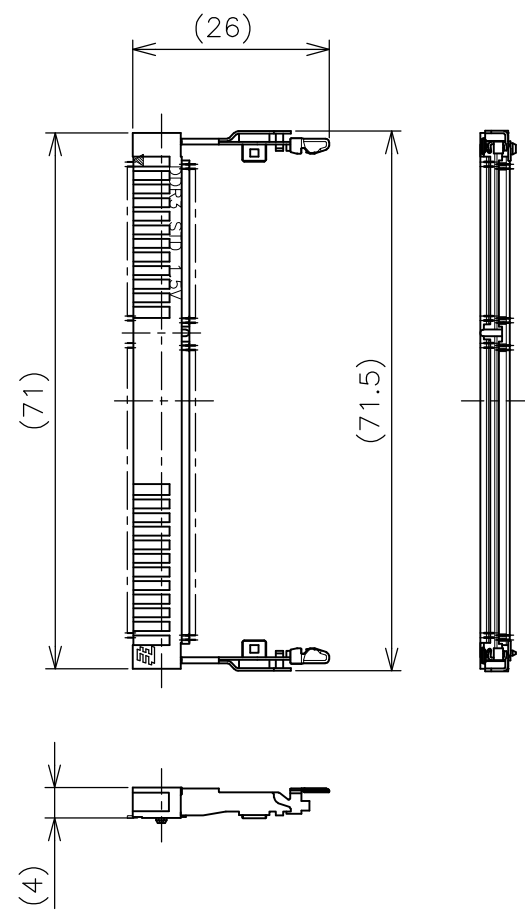
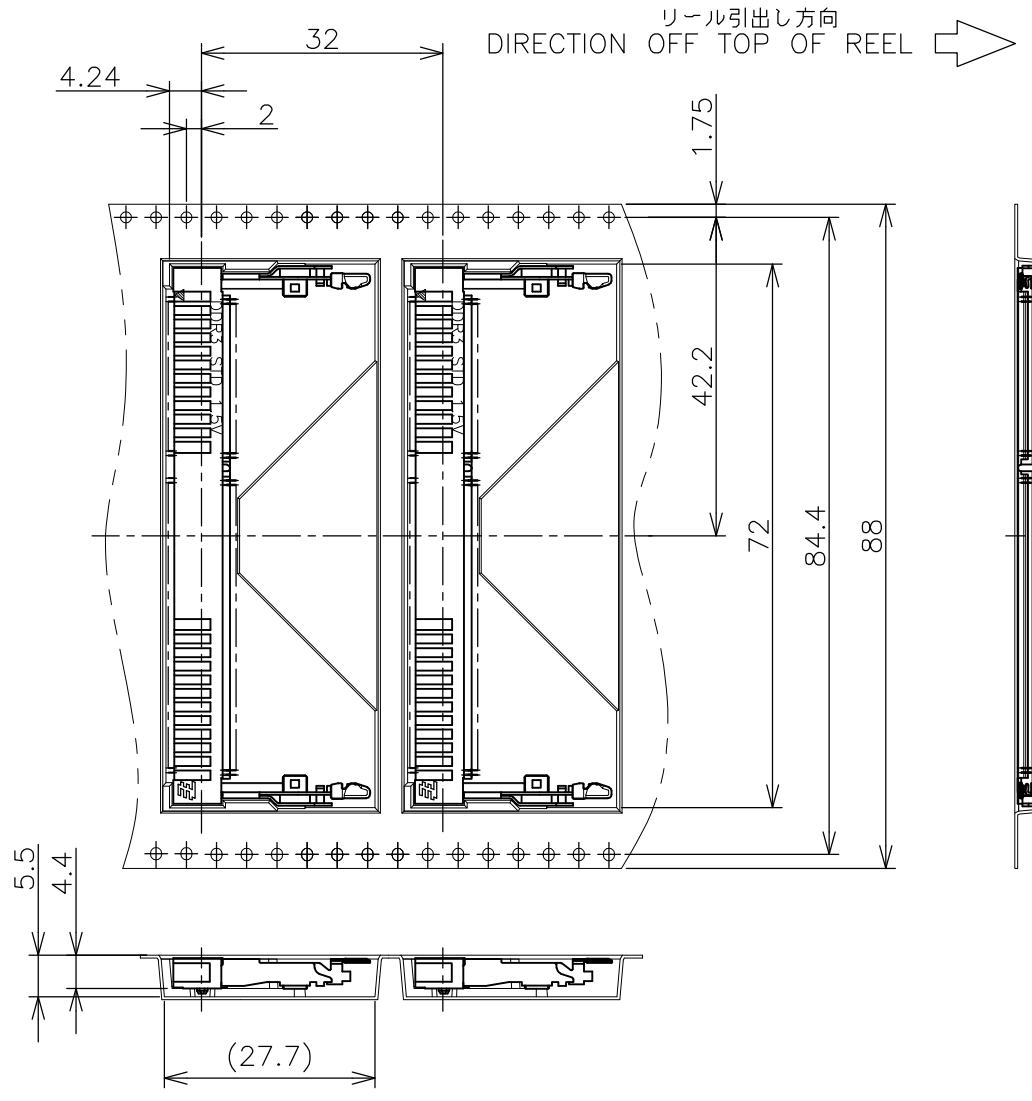
240EA	20EA	*-2013022-*
QTY/BOX	QTY/TRAY	PART NO.

THIS DRAWING IS A CONTROLLED DOCUMENT.		DWN	TE Connectivity
DIMENSIONS: MM		CHK	
TOLERANCES UNLESS OTHERWISE SPECIFIED:		APVD	
0 PLC ± 0.5 1 PLC ± 0.5 2 PLC ± 0.5 3 PLC ± 0.5 4 PLC ± 0.5 ANGLES $\pm 3'$		NAME	
MATERIAL		PRODUCT SPEC	DDR3 SODIMM SOCKET
		APPLICATION SPEC	0.6mm PITCH 204POS
		WEIGHT	4mm HEIGHT STANDARD TYPE
		CUSTOMER DRAWING	RESTRICTED TO

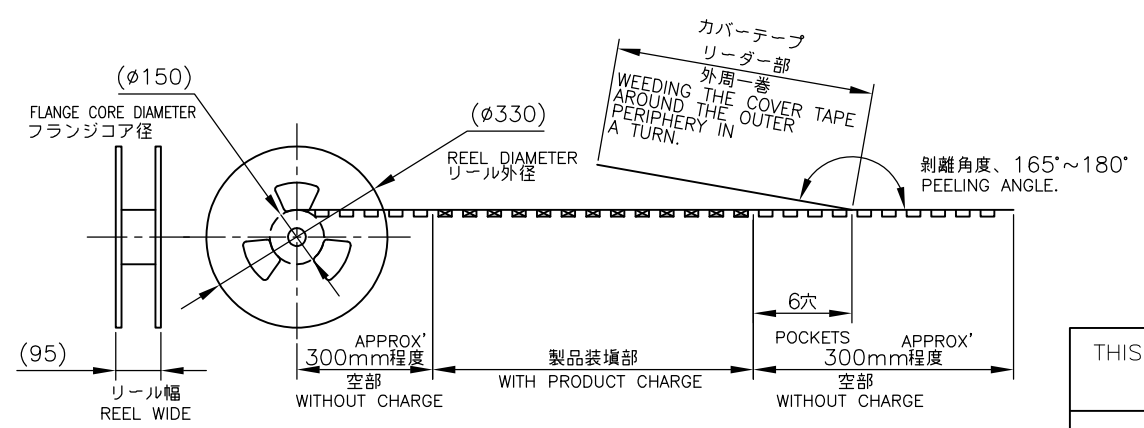
SIZE	CAGE CODE	DRAWING NO	RESTRICTED TO
A3	00779	C-2013022	-
SCALE 1:2		SHEET 5 of 6	REV C

THIS DRAWING IS UNPUBLISHED. RELEASED FOR PUBLICATION FEB ,2006.
 © COPYRIGHT 2006 By - ALL RIGHTS RESERVED.

LOC		DIST		REVISIONS				
P	LTR	DESCRIPTION			DATE	DWN	APVD	
	-	SEE SHEET 1			-	-	-	



(APPLIED TO SHEET 6)
 1. THE DIRECTION OF EACH CONNECTOR ON A EMBOSS IS REFERRED TO THIS DRAWING.
 2. GENERAL TOLERANCE: ±0.5, ±3°



FREE SCALE

THIS DRAWING IS A CONTROLLED DOCUMENT.

DIMENSIONS: MM	TOLERANCES UNLESS OTHERWISE SPECIFIED:
	0 PLC ± 0.5
	1 PLC ± 0.5
	2 PLC ± 0.5
	3 PLC ± 0.5
	4 PLC ± 0.5
	ANGLES ± 3°
MATERIAL	FINISH

DWN	CHK	APVD	PRODUCT SPEC	APPLICATION SPEC	WEIGHT	200EA		* -2013022 - *	
						QTY/REEL		PART NO.	
						TE Connectivity			
						NAME DDR3 SODIMM SOCKET 0.6mm PITCH 204POS 4mm HEIGHT STANDARD TYPE			
		SIZE	CAGE CODE	DRAWING NO	RESTRICTED TO				
		A3	00779	C-2013022	-				
CUSTOMER DRAWING						SCALE	SHEET	REV	
						1:1	6 OF 6	C	

Mouser Electronics

Authorized Distributor

Click to View Pricing, Inventory, Delivery & Lifecycle Information:

[TE Connectivity:](#)

[2-2013022-1](#)